

CISA®

7000 Series Euro Mortice Locks

Aluminium door & window
hardware



CISA is a world recognised quality European brand for specialist euro mortice locks in the residential and light commercial markets. This range of high performance locks offers durable and secure sliding, 3 point sliding and roller deadlock, euro cylinder mortice locks at affordable prices. Selected to suit the Australasian market and compatible with a range of specified Allegion door furniture and accessories.

Features

- Zinc plated steel case
- Stainless steel faceplate
- Adjustable roller from 2.5mm to 16.5 mm

Specification guide

Code prefix

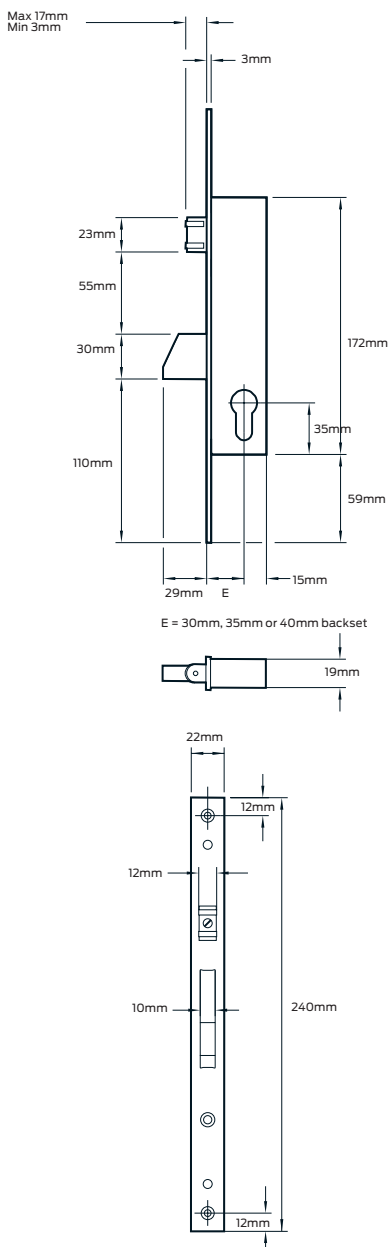
CS

Function

| | |
|---|-------|
| Roller deadlock for metal doors with 30mm backset | 70007 |
| Roller deadlock for metal doors with 35mm backset | 70009 |
| Roller deadlock for metal doors with 40mm backset | 70023 |
| Roller deadlock for wood doors with 45mm backset | 70024 |
| Roller deadlock for wood doors with 60mm backset | 70026 |
| Sliding door lock for metal doors with 30mm backset | 70011 |
| Sliding door lock for metal doors with 35mm backset | 70013 |
| Sliding door lock 3 point locking for metal doors with 30mm backset | 70015 |
| Sliding door lock 3 point locking for metal doors with 35mm backset | 70017 |

- Code prefix
All codes are prefixed with CS
- Function
Select the desired function code e.g. Roller deadlock for aluminium doors with 30mm backset CS70007

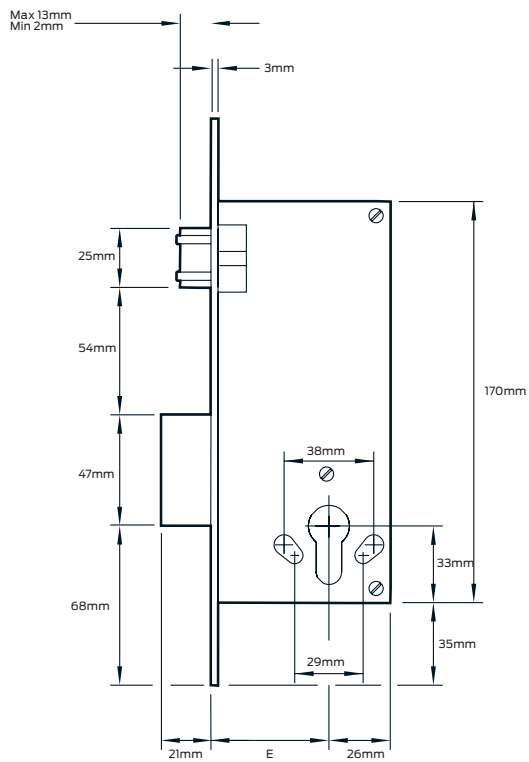
Roller deadlock - metal



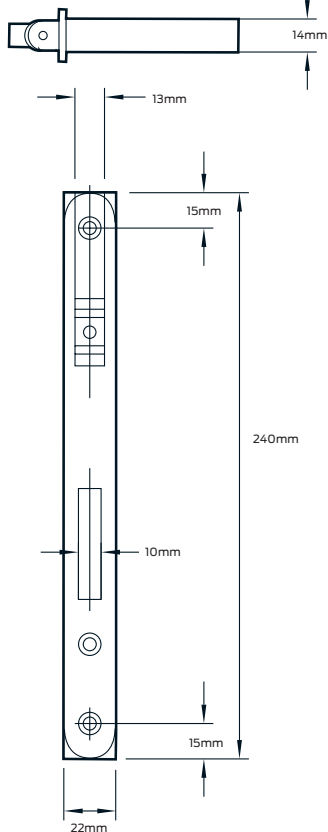
Specifications

| | |
|-------------------------|---|
| Door type | Metal |
| Door thickness | 32mm to 42mm with 5 pin cylinder |
| Lock case | Zinc plated steel |
| Forend | Stainless steel |
| Rollerbolt | Nickel plated roller, bolt and hook bolt |
| Latch | Nickel plated latch bolt |
| Backset | 30mm, 35mm, 40mm |
| Key cylinder | ME C4 keyway 5 pin euro profile cylinder Schlage C5 pin keyway euro profile cylinder optional |
| Cylinder options | Cylinder & turn Double cylinder |
| Finish | Satin stainless steel |
| Warranty | 7 year mechanical warranty when used on residential applications |

Roller deadlock - timber



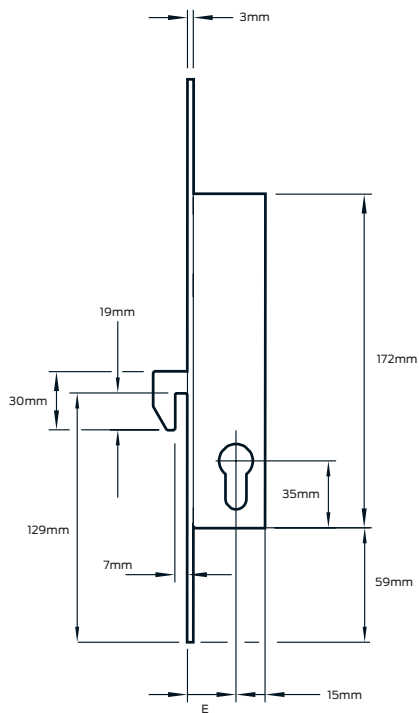
E = 30mm, 35mm, 40mm, 45mm or 60mm backset



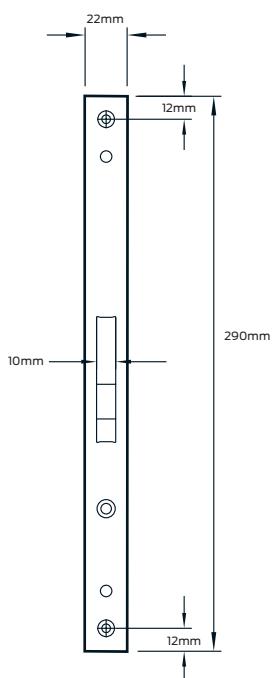
Specifications

| | |
|-------------------------|---|
| Door type | Timber |
| Door thickness | 32mm to 42mm with 5 pin cylinder |
| Lock case | Zinc plated steel |
| Forend | Stainless steel |
| Rollerbolt | Nickel plated roller, bolt and hook bolt |
| Latch | Nickel plated latch |
| Backset | 30mm, 35mm, 40mm, 45mm, 60mm |
| Key cylinder | ME C4 keyway 5 pin euro profile cylinder Schlage C5 pin keyway euro profile cylinder optional |
| Cylinder options | Cylinder & turn Double cylinder |
| Finish | Satin stainless steel |
| Warranty | 7 year mechanical warranty when used on residential applications |

Sliding hook bolt - one point



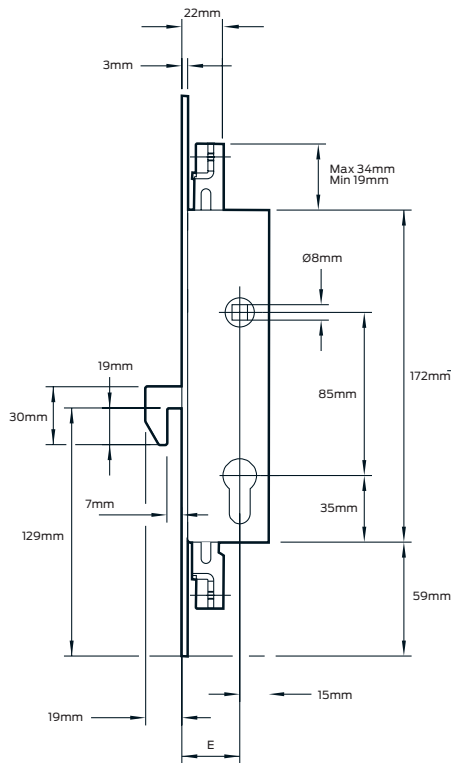
E = 30mm or 35mm backset



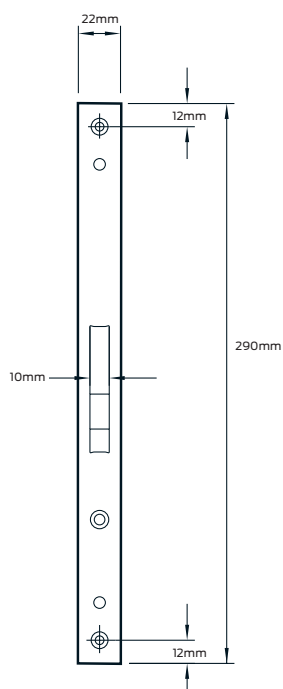
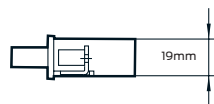
Specifications

| | |
|-------------------------|---|
| Door type | Timber or metal |
| Door thickness | 32mm to 42mm with 5 pin cylinder |
| Lock case | Zinc plated steel |
| Forend | Stainless steel |
| Hook bolt | Laminar steel |
| Backset | 30mm, 35mm |
| Key cylinder | ME C4 keyway 5 pin euro profile cylinder Schlage C5 pin keyway euro profile cylinder optional |
| Cylinder options | Cylinder & turn Double cylinder |
| Finish | Satin stainless steel |
| Warranty | 7 year mechanical warranty when used on residential applications |

Sliding hook bolt - 3 point



E = 30mm or 35mm backset



Specifications

| | |
|-------------------------|---|
| Door type | Metal |
| Door thickness | 32mm to 42mm with 5 pin cylinder |
| Lock case | Zinc plated steel |
| Forend | Stainless steel |
| Hook bolt | Laminar steel |
| Backset | 30mm, 35mm |
| Key cylinder | ME C4 keyway 5 pin euro profile cylinder Schlage C5 pin keyway euro profile cylinder optional |
| Cylinder options | Cylinder & turn Double cylinder |
| Finish | Satin Stainless Steel |
| Warranty | 7 year mechanical warranty when used on residential applications |



ALLEGION™

PIONEERING SAFETY™

We are
Allegion